

1. Introduction

The function of the non-return valve is to allow flow in one direction while blocking it in the other. The valve incorporates a conical poppet design, which ensures sealing when used with a low viscosity medium such as water.



2. Features

The non-return valve is produced in stainless Duplex W. Nr. 1,4462. The sealing is an O-ring made of Viton. The valve is available for flows up to 11.5 m³/h or 190 l/min (40 gpm).

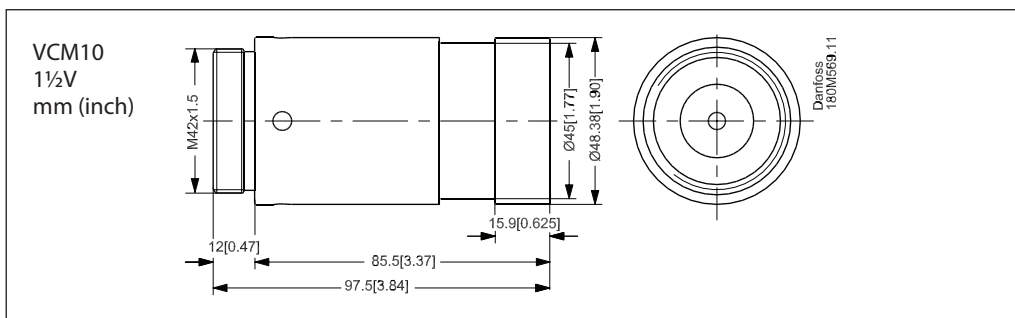
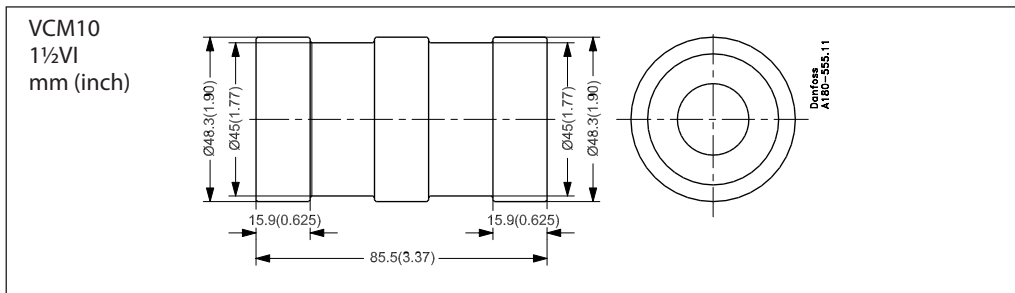
3. Technical data and code numbers

Type	Max. pressure bar (psi)	Flow continuously l/min (gpm)	Opening pressure bar (psi)	Pressure loss at max. flow bar (psi)	Code number
VCM10 1½VI	80 (1160)	190 (50)	0.3 (4.3)	1 (14.5)	180H0047
VCM10 1½V	80 (1160)	190 (50)	0.3 (4.3)	1 (14.5)	180H0049

4. Filtration

The fluid must be clean and free from abrasive sediments.

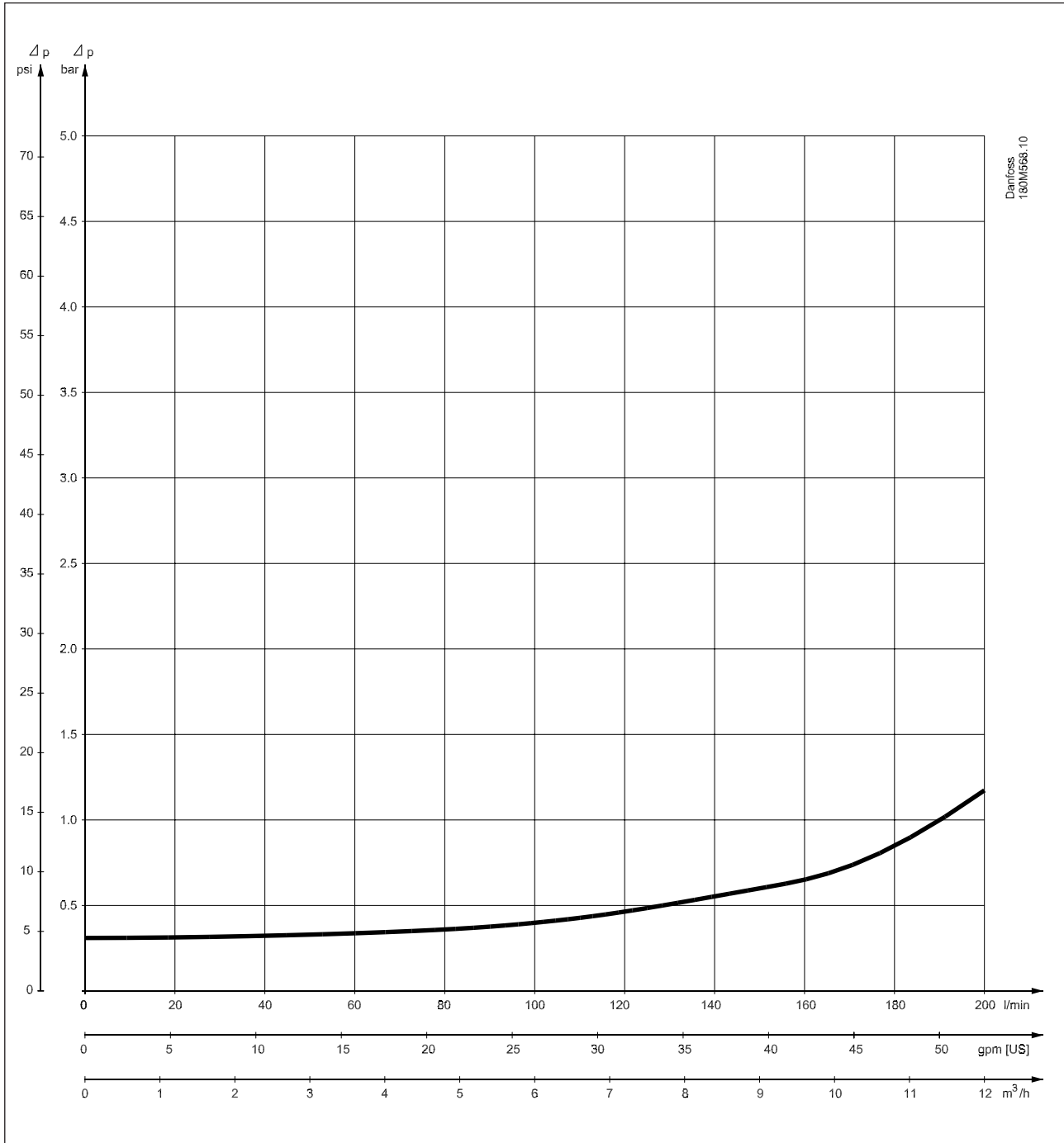
5. Dimensions



Victaulic® is a registered trademark of Victaulic Corporation Inc.

6. Pressure drop over the valve

(typical values)



Danfoss
180M568-10