

Data sheet

Bearing temperature sensor

Type MBT 5310



The MBT 5310 temperature sensor series is specially designed for measuring the temperature in bearings where there is a risk of overheating.

To get a very short reaction time the measuring element is placed in a way to secure a reaction time of down to $t_{0.5} = 6$ sec. in water.

The sensor is fitted with an adjustable spring loaded protection tube which ensures metallic contact between bearing and sensor at all times.

Features

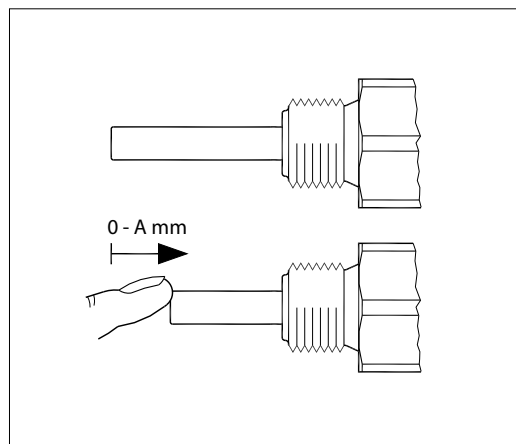
- For monitoring of bearing temperatures where there is risk of overheating, in applications such as:
 - Wind Turbines
 - Engines
 - Gearboxes
- Based on Pt 100 / Pt 1000 technology for use up to 200 °C
- Spring loaded to ensure good contact with the bearing

Approvals

Det Norske Veritas, DNV
 Registro Italiano Navale, Rina
 Bureau Veritas, BV

American Bureau of Shipping, ABS
 Korean Register of Shipping, KR
 China Classification Society, CCS

Spring function



Brass process connection	A = 15 mm
Stainless steel process connection	A = 12 mm

Technical Data

General data

Measuring range	-50 – 200 °C
Sensing element	Pt 100, Pt 1000
Protection tube	ø8 × 1 mm

Response time

Protection tube	Indicative response times			
	Water 0.2 m/s		Air 1 m/s	
	$t_{0.5}$	$t_{0.9}$	$t_{0.5}$	$t_{0.9}$
ø8 × 1 mm	6 s	20 s	35 s	140 s

Materials

Protection tube in contact with the media	AISI 316
O-ring	FPM
Nut	Nickel plated brass
Process connection	AISI 316 / Brass
Gasket	Silicone
Plug EN 175301-803-A	PA (max. 125 °C)
B-head	Die cast aluminium

Mechanical and environmental specifications

Sensor tolerance		EN 60751 Class B: $\pm (0.3 \text{ °C} + 0.005 \times t)$ t = temperature of medium, numerical value
Vibration stability	Shock	100 g / 6 ms
	Vibrations	4 g sine function 2 – 100 Hz, acc. to IEC 60068-2-6
Enclosure		IP65 according to IEC 60529
B-head		Pg 11
Plug EN 175301-803-A		Pg 9, Pg 11

Ordering standard Plug and B-head

Type MBT 5310

Resistance value		Tolerance	
1 × Pt 100	0		EN 60751 Class B
2 × Pt 100 ¹⁾	1		
1 × Pt 1000	2		
2 × Pt 1000 ¹⁾	3		
Other	9		

Protection Tube, W.nr. 1.4571 (AISI 316 Ti)		Process connection
Acid-proof steel, ø8 × 1mm	0	
Other	9	

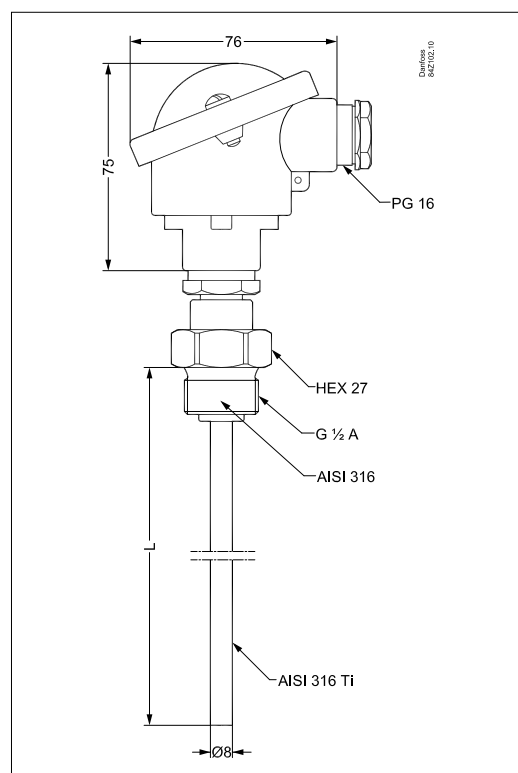
Insertion length (working range)			Electrical Connections
Brass	Stainless		
70 – 85 mm	73 – 85 mm	85	0 EN 175301-803-A, plug Pg 11 (IP65) 2 wire / 3 terminals
85 – 100 mm	88 – 100 mm	100	1 EN 175301-803-A, plug Pg 9 (IP65) 2 wire / 3 terminals
145 – 160 mm	148 – 160 mm	160	3 B-mini head 2 wire / 3 terminals
210 – 225 mm	213 – 225 mm	225	4 B-mini head 4 wire / 4 terminals
225 – 240 mm	228 – 240 mm	240	5 B-head standard, 4 wire / 4 terminals
555 – 570 mm	558 – 570 mm	570	6 B-mini head 2 wire / 2 terminals
Other		xxx	7 EN 175301-803-A, plug Pg 9 (IP65) 4 terminals no grounding pin
			8 EN 175301-803-A, plug Pg 11 (IP65) 4 terminals no grounding pin
			A M12 plug 2 wire 4 pins
			B M12 plug 4 wire 4 pins

Preferred versions

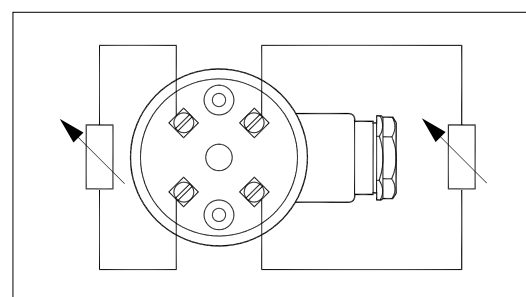
¹⁾ Not all electrical connections are possible

Technical Data

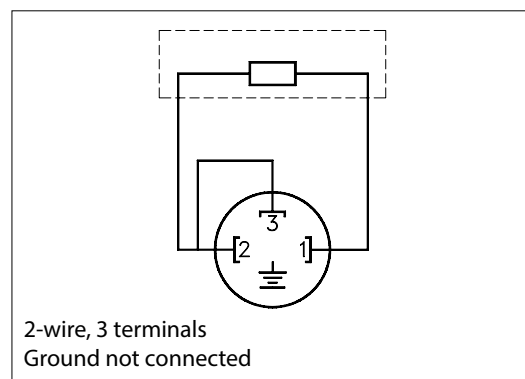
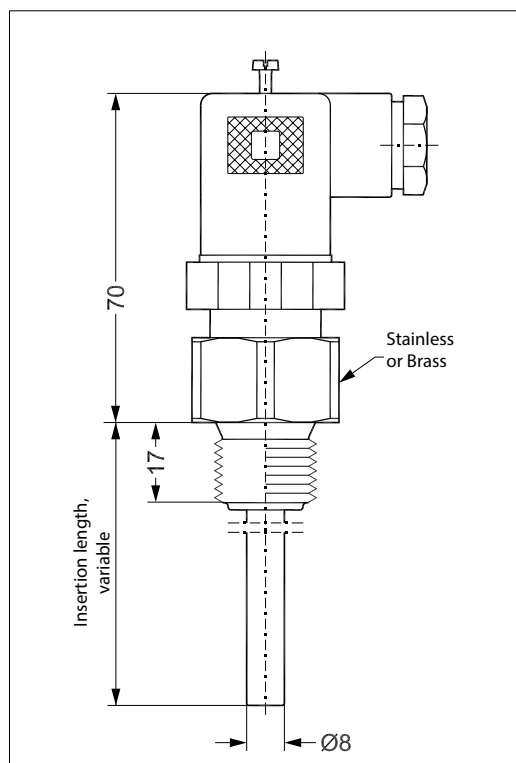
Dimensions [mm]



Electrical connection



Electrical connection and dimensions



**Technical data
Cable version**

General data

Measuring range	-50 – 200 °C
Sensing element	Pt 100, Pt 1000
Protection tube	ø8 × 1 mm

Response time

Protection tube	Indicative response times			
	Water 0.2 m/s		Air 1 m/s	
	$t_{0.5}$	$t_{0.9}$	$t_{0.5}$	$t_{0.9}$
ø8 × 1 mm	6 s	20 s	35 s	140 s

Materials

Protection tube in contact with the media	AISI 316
Spring material	Stainless steel
Cable	FEP or Polyolefin, depending on selection
Process connection, bayonet	AISI 316

Mechanical and environmental specifications

Sensor tolerance	EN 60751 Class B: $\pm (0.3 \text{ °C} + 0.005 \times t)$ $t =$ temperature of medium, numerical value	
Vibration stability	Shock	100 g / 6 ms
	Vibrations	4 g sine function 2 – 100 Hz, acc. to IEC 60068-2-6
	Enclosure	IP67 according to IEC 60529

Ordering standard cable version

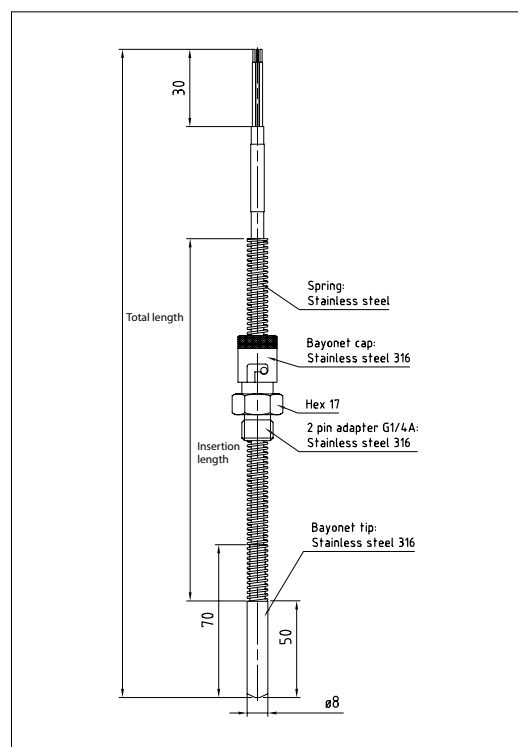
Type MBT 5310

Resistance value									
1 × Pt 100	0						0100	01.0 m.	
2 × Pt 100 ¹⁾	1						0500	05.0 m.	
1 × Pt 1000	2						1000	10.0 m.	
2 × Pt 1000 ¹⁾	3						xxxx	xx.x m.	
Other	9								
Protection Tube, Stainless Steel / Brass									Cable length
Acid-proof steel, ø8 × 1 mm	0						0	None	
Acid-proof steel, ø10 × 2 mm	1						1	FEP cable	
Acid-proof steel, ø12 × 1 mm	2						2	Polyolefin cable	
Other	9						9	Other	
Insertion length									Cable type
100 mm			100				0	EN 60751 Class B	
300 mm			300				9	Other	
xxx mm			xxx						
							4	Bayonet coupling	
							9	Other	
									Process connection
									Bayonet coupling
									Other
									Electrical Connections
							0	2-Wire	
							1	3-Wire (only 1 × element)	
							2	4-Wire (only 1 × element)	
							9	Other	

■ Preferred versions

¹⁾ Not all electrical connections are possible

Dimensions



Danfoss can accept no responsibility for possible errors in catalogues, brochures and other printed material. Danfoss reserves the right to alter its products without notice. This also applies to products already on order provided that such alterations can be made without consequential changes being necessary in specifications already agreed. All trademarks in this material are property of the respective companies. Danfoss and the Danfoss logotype are trademarks of Danfoss A/S. All rights reserved.